

# Technical Specification

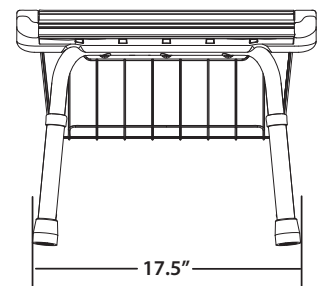
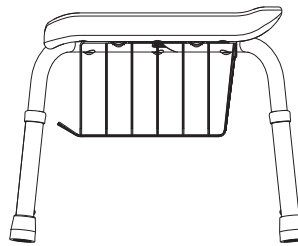
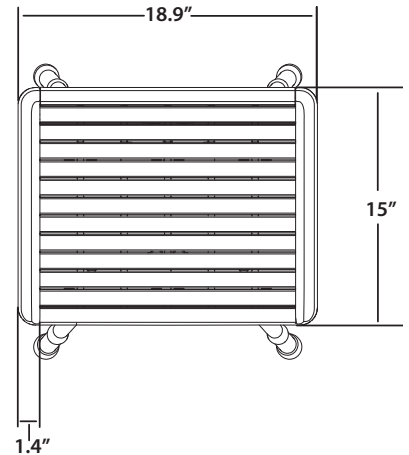
## Shower Seat with Storage

# DN7135

### Stock Numbers:

- **DN7135 – Shower Seat with Storage**  
Adjustable seat height from 17" to 21"

### Dimensions:



### Materials:

**Shower Seat with Storage** is made from high density polypropylene and high density polyethylene. Legs are polished anodized aluminum. Feet are gray rubber.

#### WARNING:

TO PREVENT SERIOUS OR FATAL INJURY: Ensure product is assembled, adjusted and used properly. FOR USE ONLY BY PERSONS WEIGHING LESS THAN 250 LBS. Failure to follow correct installation procedures can cause the legs to become loose. Check after installation to make sure legs are secure, and check periodically to be sure legs remains secure. Contact Moen immediately at 1-800-882-0116 if any components are missing or damaged. Do not modify or substitute any components. FOR QUESTIONS OR ASSISTANCE WITH ASSEMBLY CONTACT MOEN AT 1-800-882-0116. Consult a healthcare professional for advice and instructions specific to user's needs before use.

### Cleaning Instructions:

Do **NOT** use orange or citrus based detergents and cleaners, they may harm the finish of this product.

**Stock Number:** \_\_\_\_\_ **Shower Seat with Storage**  
**By Moen Incorporated**

# MOEN®

25300 AL MOEN DRIVE • NORTH OLMSTED, OH 44070  
CONSUMER SUPPORT: (800) 289-6636 • FAX: (800) 848-6636  
INTERNATIONAL: (440) 962-2000 • FAX: (440) 962-2726  
CUSTOMER SERVICE (USA): 800-882-0116 • FAX: (888) 379-2720  
WWW.MOEN.COM  
© 2018 Moen Incorporated.